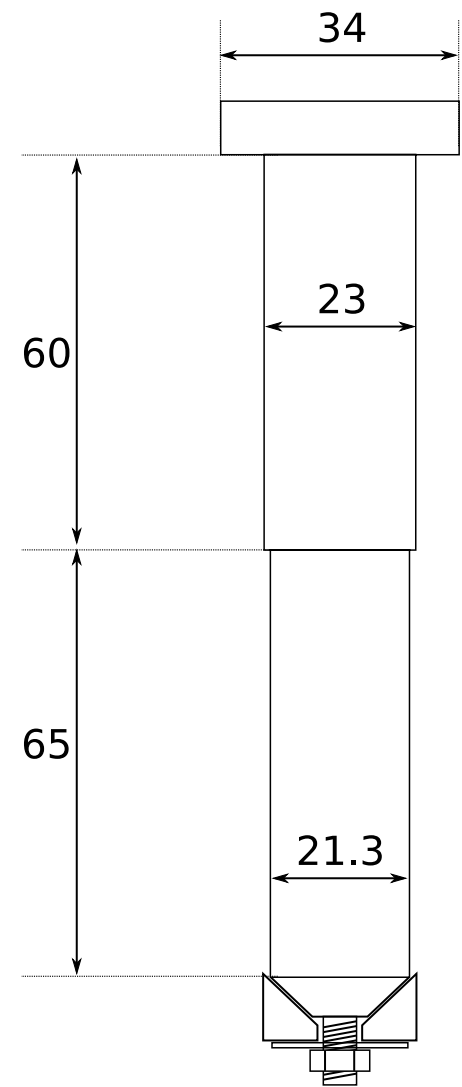


TrackHead compatibility with various Headset steerer tubes

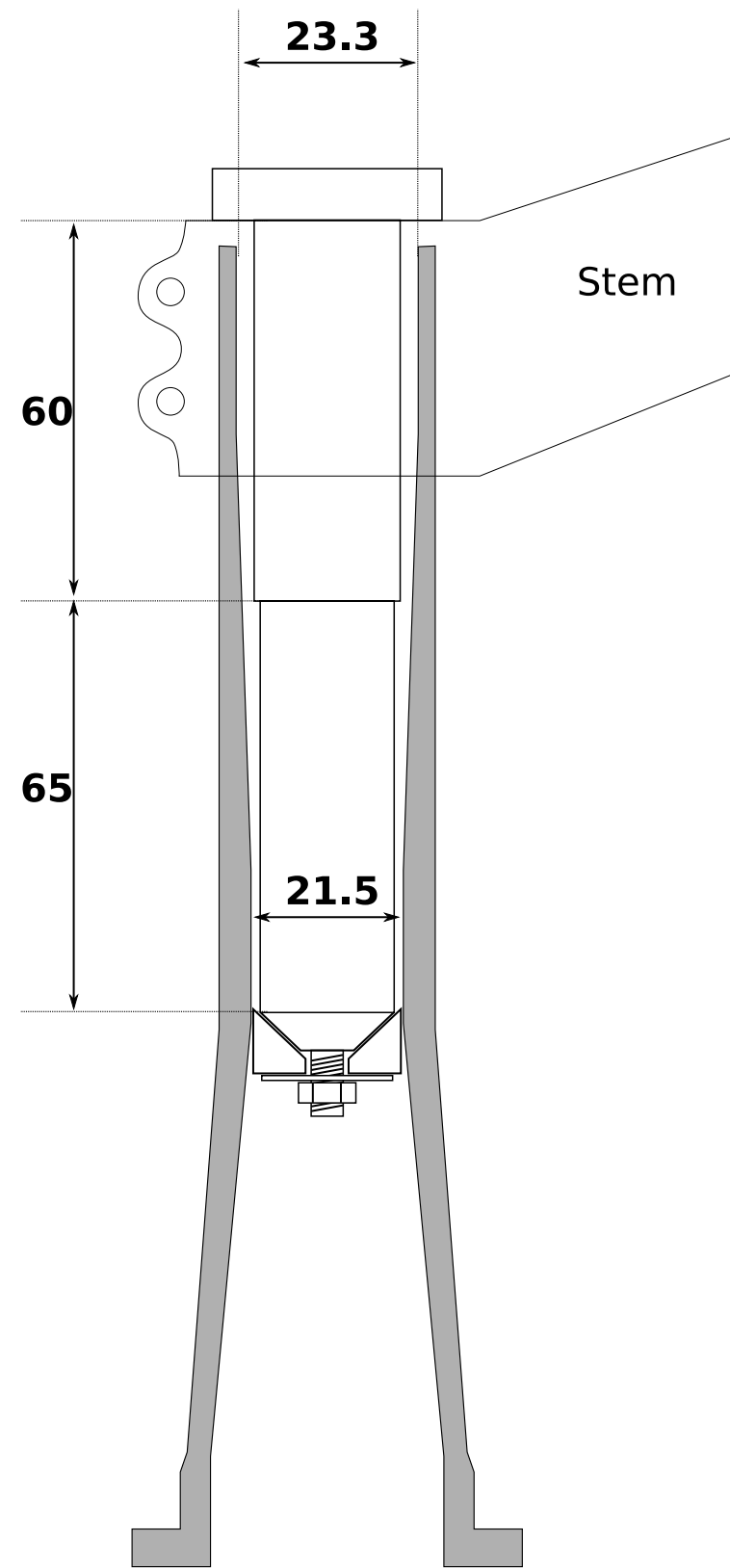
TrackHead compatibility is dependent on inner diameter/length tube profile, not on bearings, or variation of head-set standards

Minimum inner tube requirements

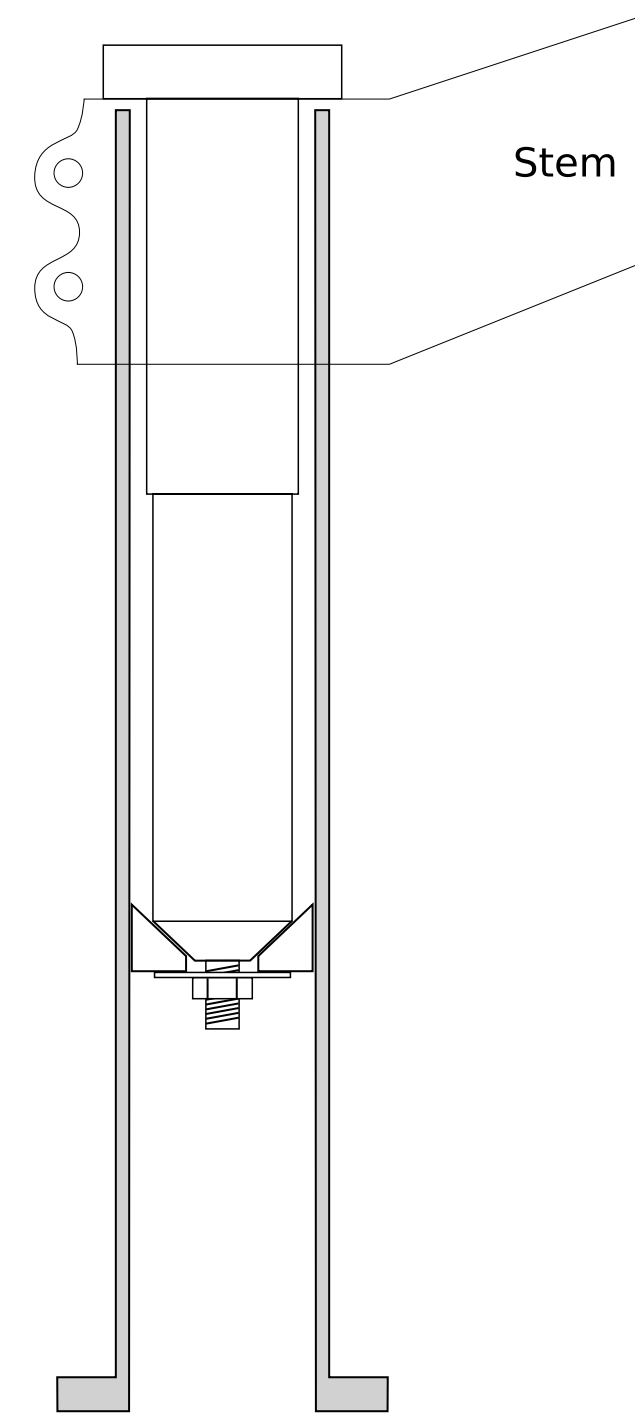
	Minimum Diameter	Minimum Length from top
Upper part	23.3	60
Lower part	21.5	125



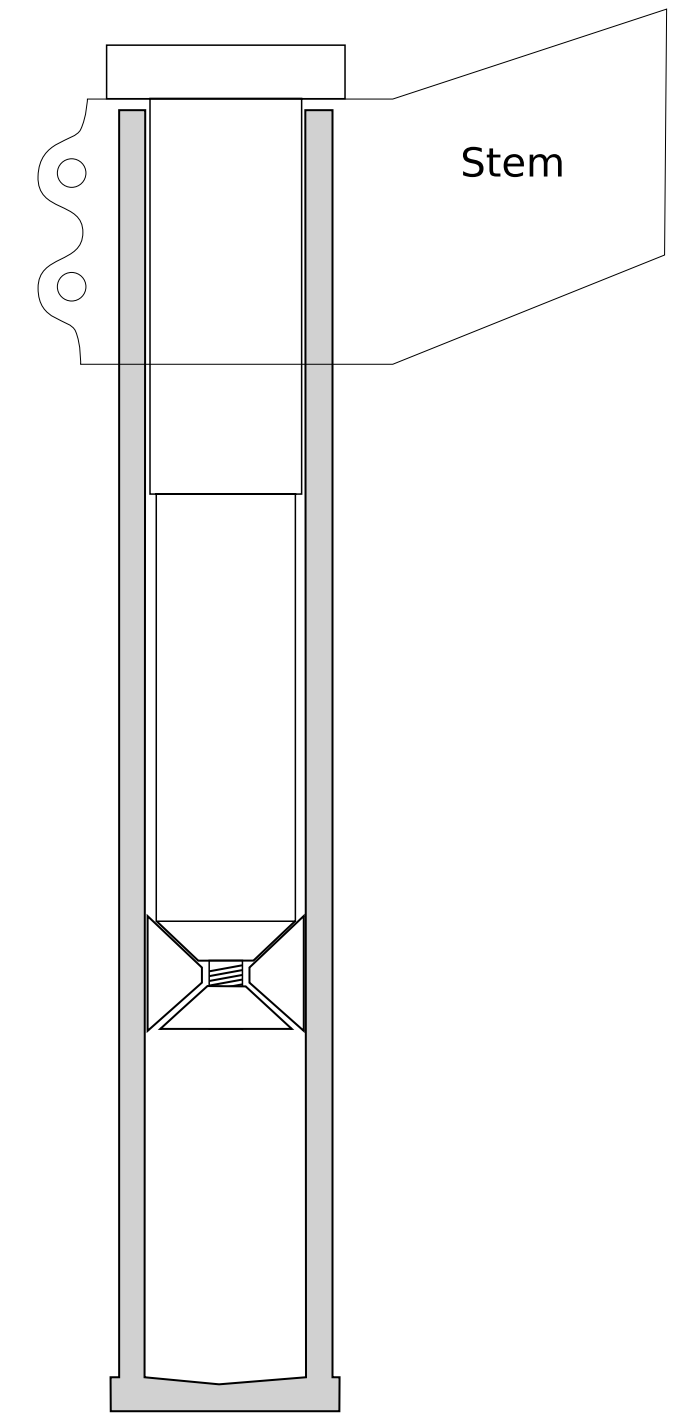
TrackHead



Tapered tube



Straight



Carbon